

ClassGuard™ for Doors

Prepare for lockdown situations by blocking vision into classrooms where students and teachers may be sheltering in place.

The new retrofit ClassGuard Privacy Screen can be added to existing sidelites to block light and provide privacy into the classroom.

Now safety meets functionality.



Make ClassGuard a Part of Your Emergency Preparedness Plan:

- Add to existing doors and sidelites for use during lockdown drills to block vision into the room
- Easy installation for facility managers - installs in minutes!
- UL Listed for use on Fire-Rated doors up to 90 minutes

Additional Everyday Benefits:

- Great for privacy during testing, counseling sessions or special education classes
- 100% light blocking screen for videos or presentations

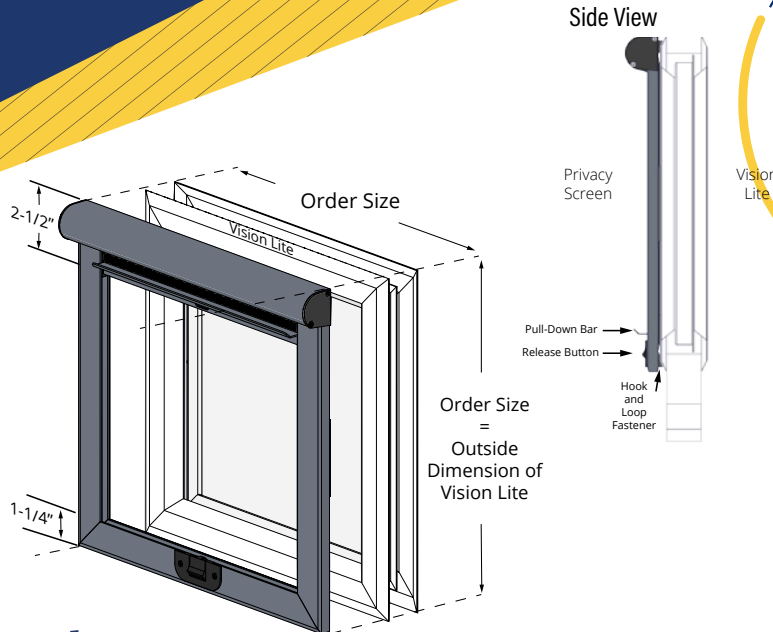


How to Order ClassGuard™

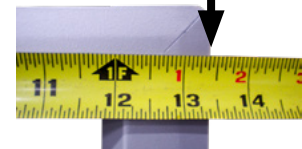
THE MOST IMPORTANT THING

Frame Size

Start by measuring the outside dimensions of your vision frame. For best installation results, outside dimensions of the ClassGuard should be equal to the size of your vision frame.



Take Outside Measurement



ClassGuard Technical Specs:

CONSTRUCTION	Aluminum 1-1/4" x 1/4" frame on 4 sides with radius corners, mitered and welded. 7/8" deep slots on both sides do not allow any light to penetrate—even on the edges.
ROLLER	A spring-operated roller in an aluminum housing allows for controlled opening and closing of the unit. Push-button retraction quickly and easily retracts the shade. Tested to 10,000 cycles.
SHADE	A durable 100% opaque black, light-blocking fabric material, attached to a rigid pull-down bar mounted into the side channels. The shade latches into place when pulled down and retracts when button is pushed.
POWDER COAT FINISHES	Standard colors are Bronze or Silver, but other colors are available upon request. We do not recommend field painting of this product.
SIZES	UL Listed Size: Min: 178.9 sq. in. Max: 1141.3 sq. in. or 31-3/8" x 36 -3/8". Non-UL Size: Min: 5" x 7" Max: 31-3/8" x 37-3/8" Order in 1/8" increments.
INSTALLATION	Attach to installed vision lite using 1/2" wide hook and loop fasteners provided. Thickness of the vision lite or construction material does not matter as long as there is a flat 5/8" frame to mount the ClassGuard.
UL LISTING 90 MINUTES	Tested under UL10C to maintain existing door, vision kit and glazing ratings up to 90 minutes for steel and wood doors, both temp-rise and non temp-rise. ClassGuard must be attached to a metal vision frame kit, not to the door itself, wood vision frame kits or to wood stops. See File # R38628.

SEE OUR WEBSITE FOR THE MOST CURRENT INFORMATION - WWW.CLASS-GUARD.COM